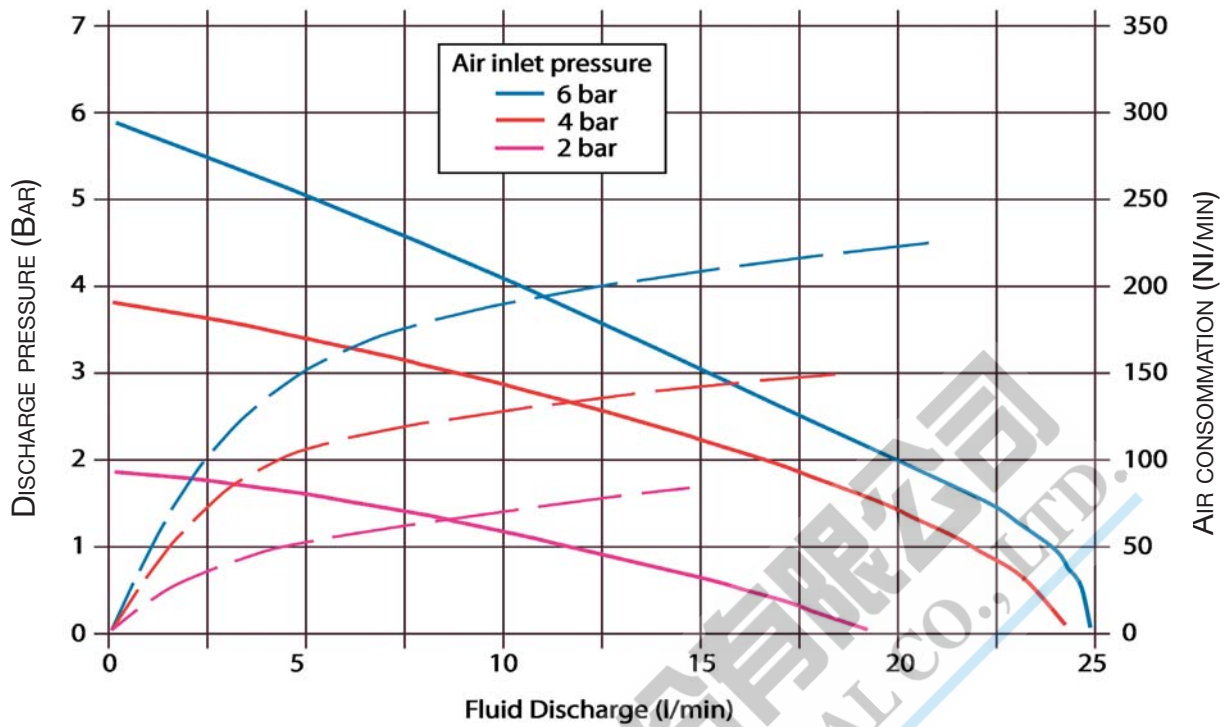


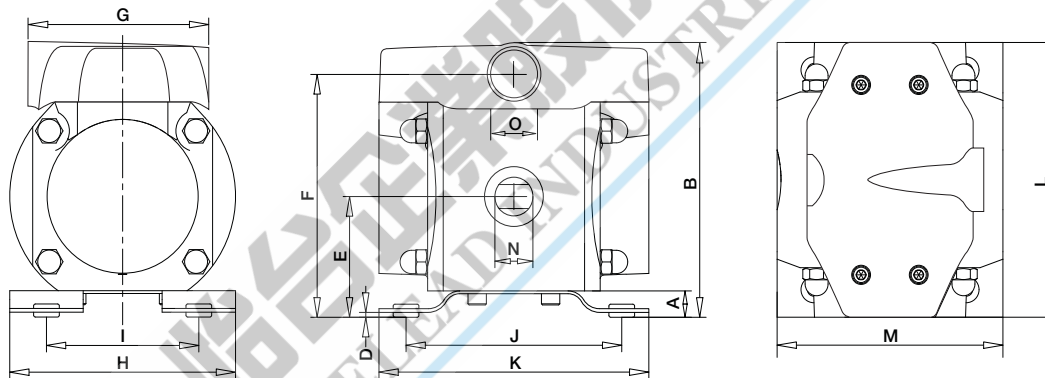
ALBIN PUMP AD

Air operated floating diaphragm pumps

TECHNICAL DATASHEETS



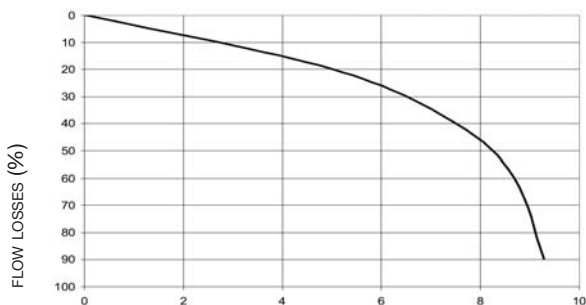
DIMENSIONS



DIMENSIONS															
TYPE	A	B	D	E	F	G	H	I	J	K	L	M	N	O	Weight kg PP / AL
AD 15	14	145	2.5	64.5	130	97,6	141	101	118	147	147	123	1/4"	3/8"	2.5 / 3.7

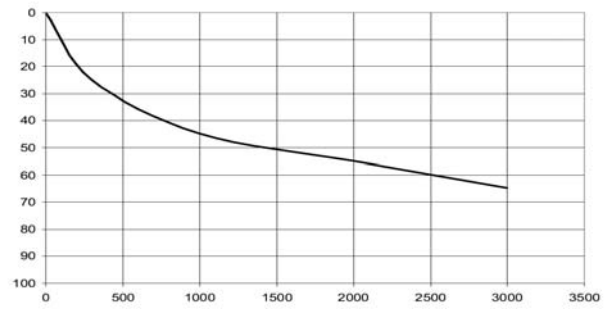
TECHNICAL SPECIFICATIONS

SUCCION LIFT LOSS

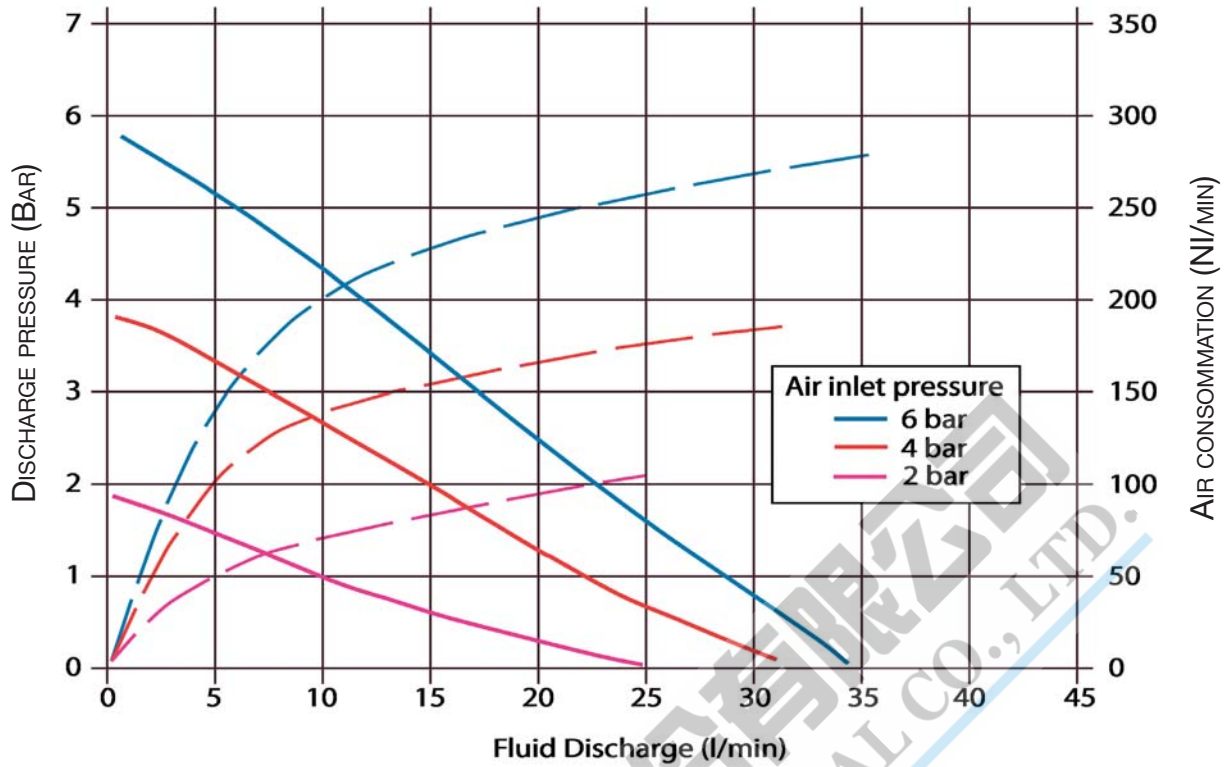


SUCCION LIFT (M)

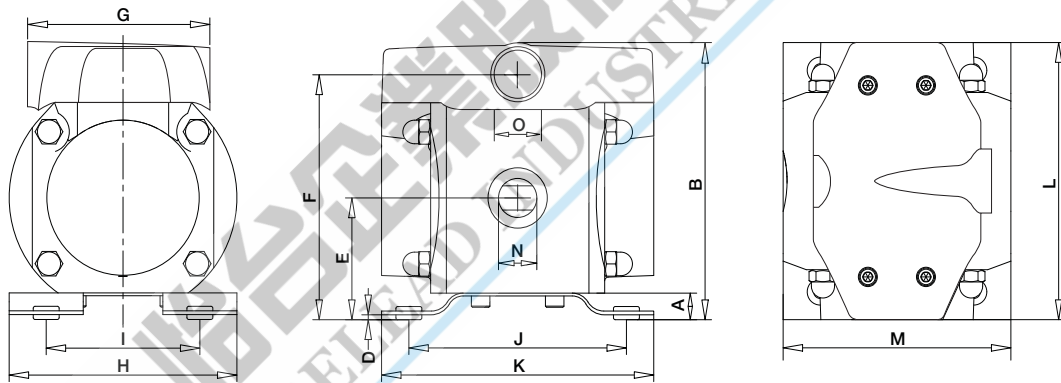
FLOW LOSS DUE TO VISCOSITY



VISCOSITY (Cpo)



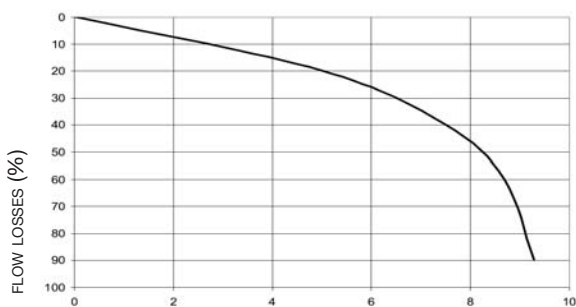
DIMENSIONS



DIMENSIONS																
TYPE	A	B	D	E	F	G	H	I	J	K	L	M	N	O	Weight kg PP / AL	
AD 30	14	145	2.5	64.5	130	97,6	141	101	118	147	147	123	3/8"	3/8"	2.5 / 3.7	

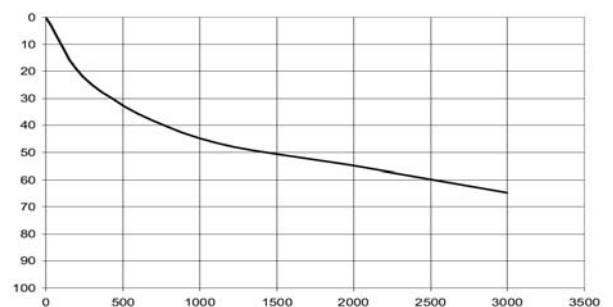
TECHNICAL SPECIFICATIONS

SUCCION LIFT LOSS

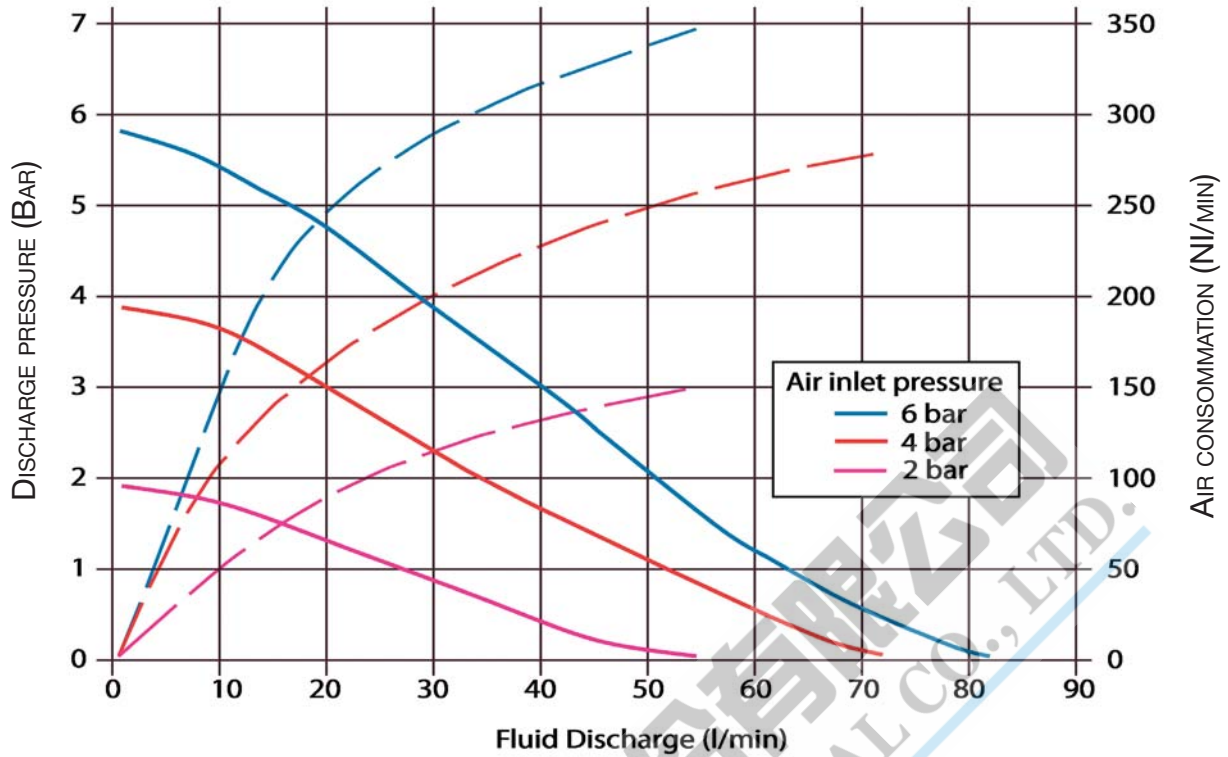


SUCCION LIFT (M)

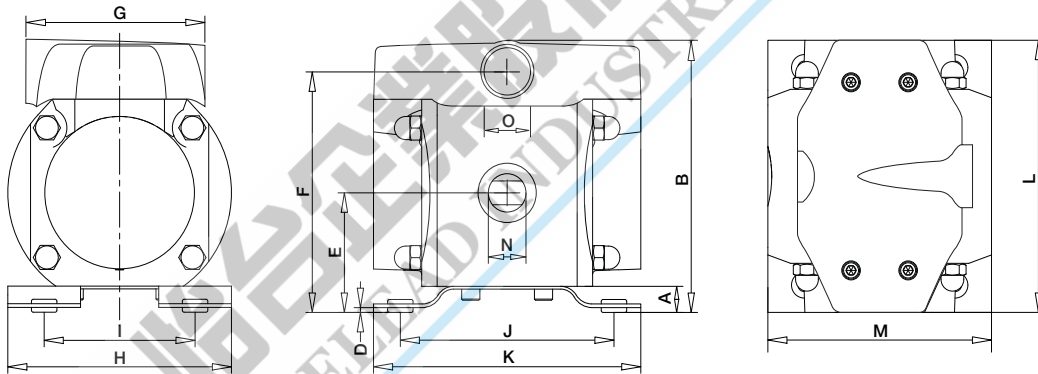
FLOW LOSS DUE TO VISCOSITY



VISCOSITY (Cpo)



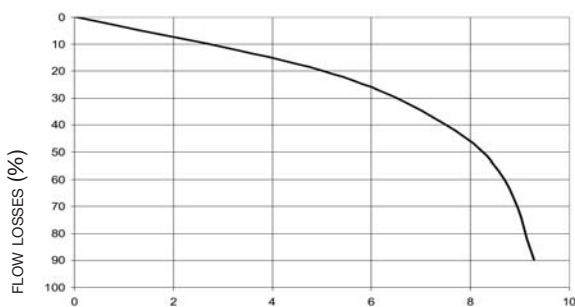
DIMENSIONS



DIMENSIONS															Weight kg PP / AL
TYPE	A	B	D	E	F	G	H	I	J	K	L	M	N	O	
AD 60	14	164	2.5	74	149	97,6	141	101	118	147	147	141	3/4"	3/8"	3.6 / 4.9

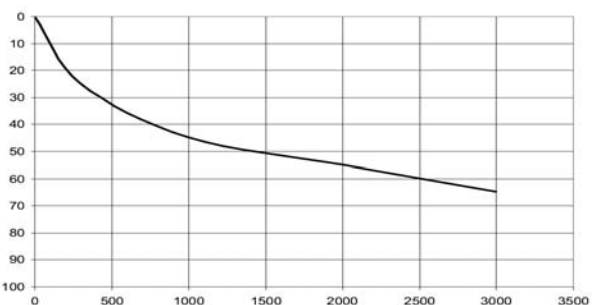
TECHNICAL SPECIFICATIONS

SUCCION LIFT LOSS

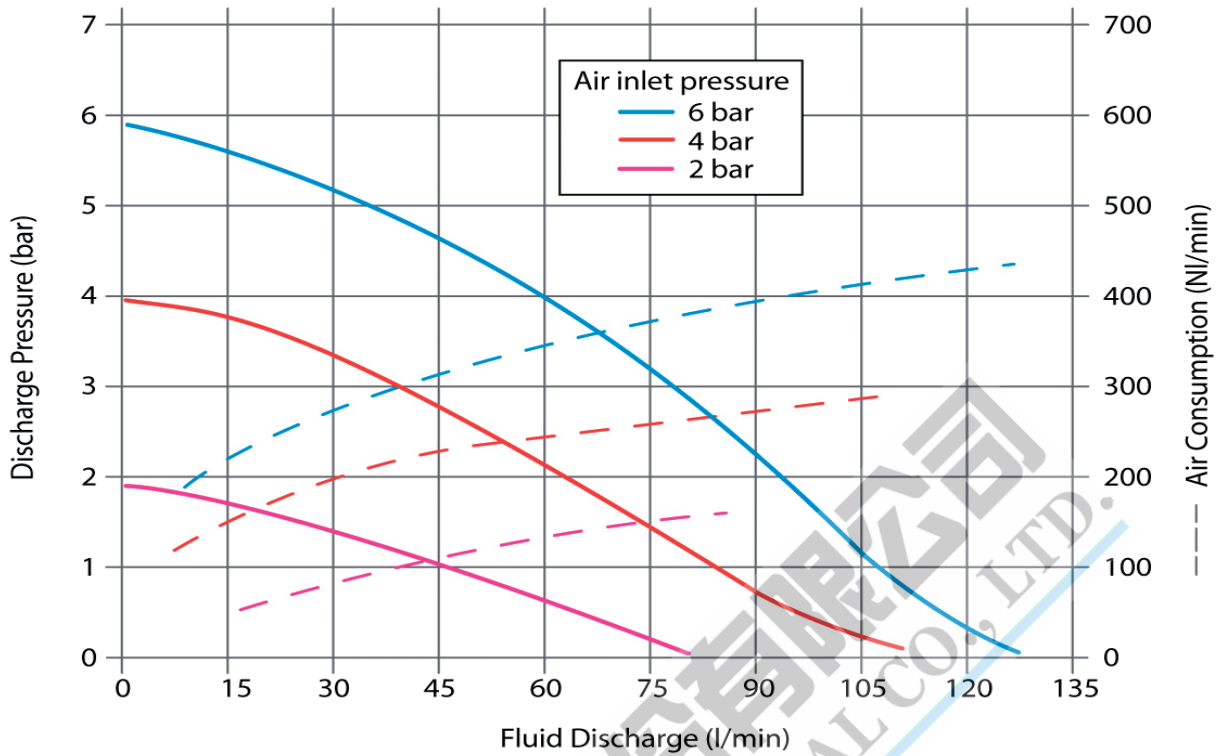


SUCCION LIFT (M)

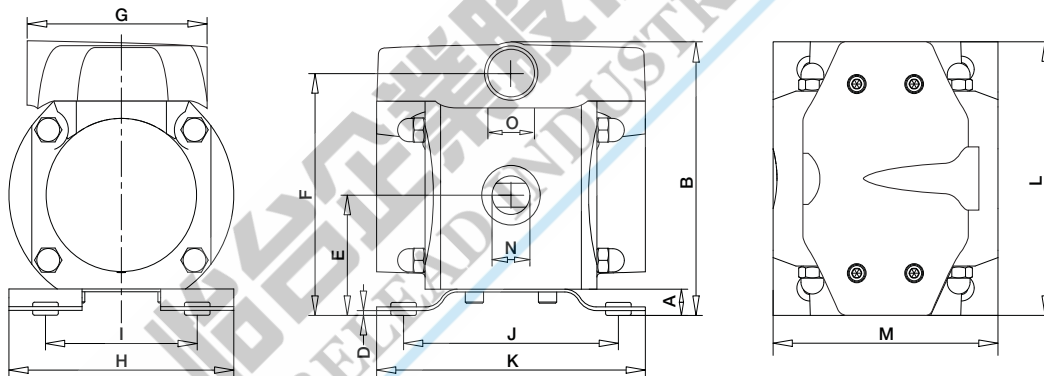
FLOW LOSS DUE TO VISCOSITY



Viscosity (Cpo)



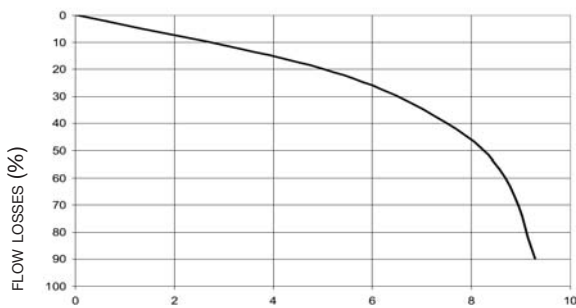
DIMENSIONS



DIMENSIONS															
TYPE	A	B	D	E	F	G	H	I	J	K	L	M	N	O	Weight kg PP / AL
AD 120	14	210	2.5	97	195	97,6	184	134	148.5	178	170	184	1.1/4"	3/8"	6.9 / 9.8

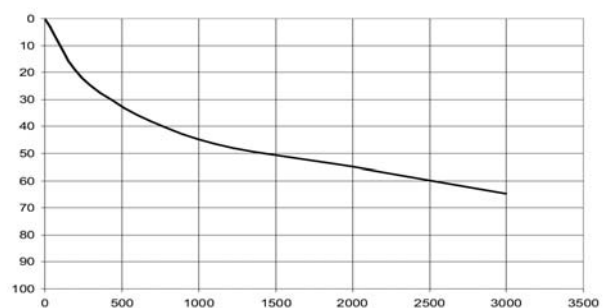
TECHNICAL SPECIFICATIONS

SUCCION LIFT LOSS



SUCCION LIFT (M)

FLOW LOSS DUE TO VISCOSITY



VISCOSITY (Cpo)

GB



◎ 聯絡我們

歡迎與怡台聯繫、協助您解決泵浦、鏈條、傳動設備之需求與問題

怡台企業股份有限公司

電話：(07)8153030 / (07)9709888

傳真：(07)8153080 / (07)9703900

地址：80673 高雄市前鎮區興化街135號

E-mail：sdmk1@prelead.com.tw